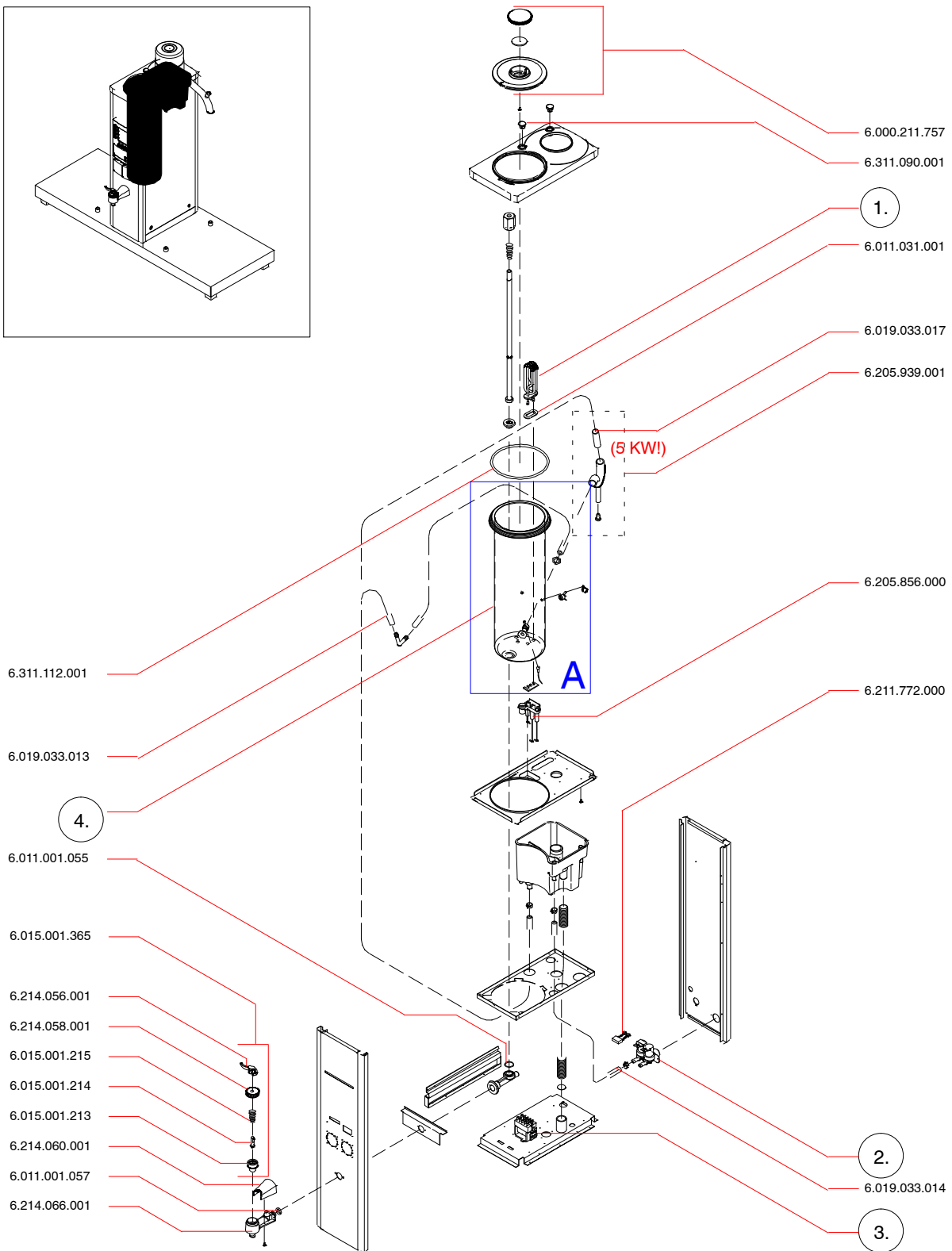
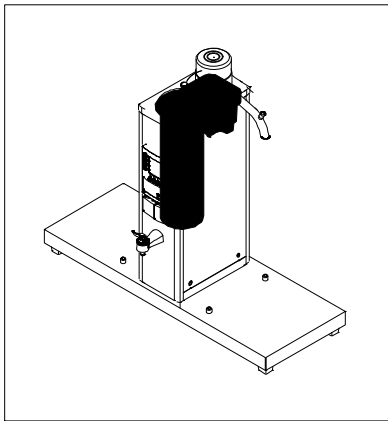
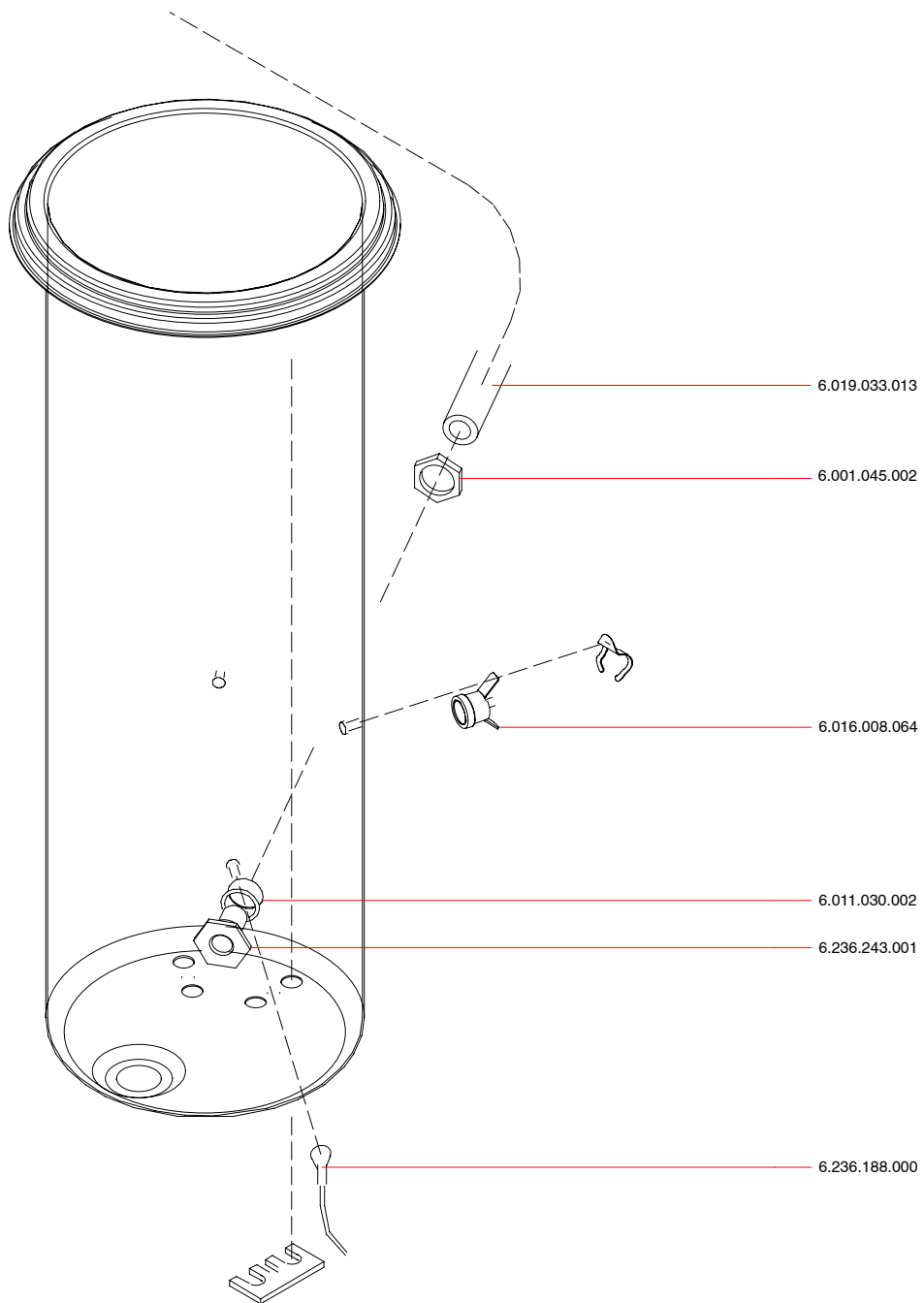


B / B HW (2000 -->)



A



		B5	B5 HW	B10	B10 HW	B20	B20 HW	B40
1.	STD		6.236.158.000		6.236.158.000		6.236.158.000	
	J		6.236.251.000		6.236.251.000		6.236.251.000	
	SCH		6.311.177.000		6.311.177.000		6.311.177.000	
2.	STD (2)	6.016.001.017	6.016.001.026	6.016.001.017	6.016.001.026	6.016.001.017	6.016.001.026	6.016.001.078
	J	6.016.001.038	6.016.001.041	6.016.001.038	6.016.001.041	6.016.001.038	6.016.001.041	
	TWN	6.016.001.037		6.016.001.037				
	STD (5)	6.016.001.017	6.016.001.077	6.016.001.017	6.016.001.077	6.016.001.017	6.016.001.077	
	SCH	6.016.001.037	6.016.001.082	6.016.001.037	6.016.001.082	6.016.001.037	6.016.001.082	
3.	STD		6.004.002.068		6.004.002.068		6.004.002.068	
	J		6.004.002.075		6.004.002.075		6.004.002.075	
4.	STD (2)		6.311.091.000		6.205.857.000		6.206.601.000	
	STD (5)		6.311.092.000		6.205.866.000		6.206.602.000	